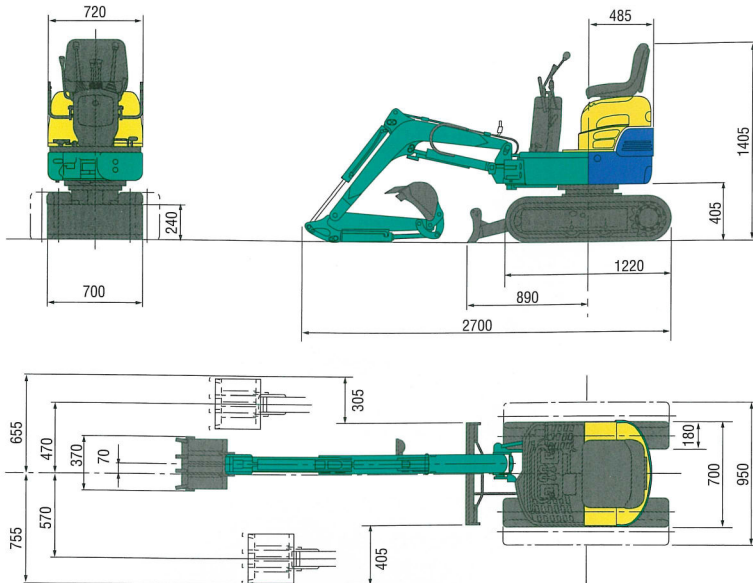
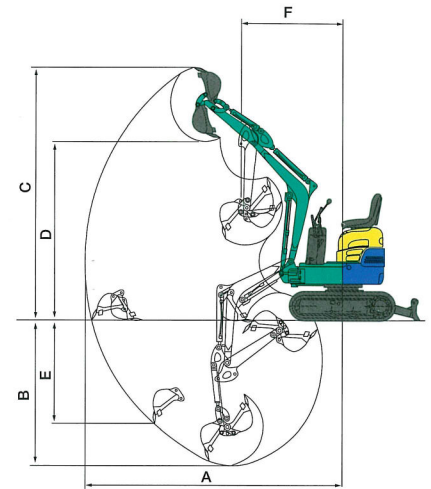


■ Dimensions (Unit:mm)



■ Working Range (Unit:mm)



A Max. digging radius	2980 (3190)
B Max. digging depth	1570 (1770)
C Max. digging height	2755 (2950)
D Max. dumping height	1970 (2150)
E Max. vertical digging depth	1175 (1400)
F Min. front turning radius	1220 (1320)
At right boom swing	950 (1030)

※(): Figures for long arm



9VX

Mini Excavator

Standard Bucket Capacity : ISO 0.022m³

**0.7m-0.95m Variable Width,
Smooth Operation, Easy Maintenance.**

■ 9VX Specifications

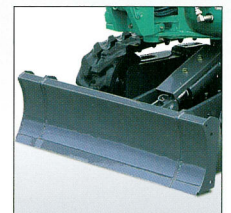
Model	9VX
• Performance	
Bucket capacity	0.022m ³
Bucket width	370mm
Operating weight	965kg
Transportation weight	890kg
Swing speed	8.7min ⁻¹
Travel speed (low/high)	1.7/3.5km/h
Gradeability	58% (30°)
Ground pressure	26.2kPa (0.27kgf/cm ²)
Max.bucket digging force	10.6kN (1086kgf)
• Engine	
Model	YANMAR 2TNV70
Rated output	7.3kW(9.9PS)/2400min ⁻¹
Fuel tank capacity	8.5 L
• Boom swing system	
Type	Boom offset with hydraulic cylinder
Swing angle (L/R)	50° / 90°
• Hydraulic system	
Pressure	16.2MPa (165kgf/cm ²)
Pump hydraulic flow	11.1L/min × 2
• Dozer blade	
Size	700mm × 240mm
Lift above ground / Drop below ground	220mm / 150mm



Auxiliary Hydraulic Piping



Gate lock lever

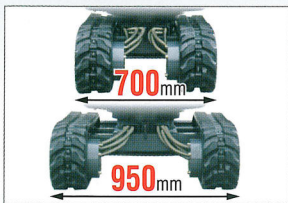


Additional Dozer Blade

■ Options

• Long-arm (standard + 200mm)
• Auxiliary hydraulic piping (11L/min)
• Additional dozer blade
• Roll bar
• Gate lock lever

Bucket
0.011m ³ / Digging bucket (220mm width)
0.017m ³ / Long arm bucket (320mm width)



Wide Spanner

Spanner function(700mm ↔ 950mm) has been equipped as standard. The wide span amount contributes to improve stability while allowing entry into tight spaces.



Bucket cylinder hose is placed inside of arm.

Improves forward visibility and helps prevent damage to the hose.



Full-opening engine cover is the pressed steel and very rugged.

Pressed steel engine cover for easy repair. No degradation in quality if exposed to sunlight over long periods.



The radiator is made of aluminum and corrosion resistance.

Plastic fuel tank prevents from rusting and the aluminum made radiator resists against rusting.

Eco-friendliness and Safety

- Conform to the EC low noise regulation.
- Equipped with automatic swing parking brake as standard.

Easy Operation

- Improved stability with Wide Spanner. (700mm ↔ 950mm)
- Top class tail swing radius of 485mm.
- One-point lifting for easy loading on truck.
- Only 1435mm diameter for full rotation. (At 90°right swing)

Easy Maintenance

- Plastic fuel tank prevents from rusting.
- Aluminum made radiator resists against rusting.
- Segmented boom cylinder hose for easier replacement.
- Full-opening engine cover for easy maintenance.

Rugged Body

- Rubber shoe that not only offers superior durability but also high ground-gripping power.
- Full-opening engine cover is the pressed steel and very rugged.
- Equipped rugged dozer blade.
- Bucket cylinder hoses are placed inside of arm.